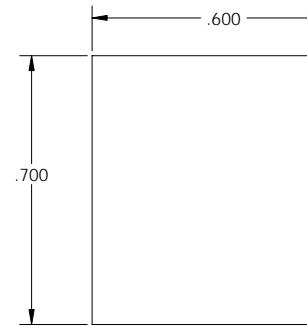
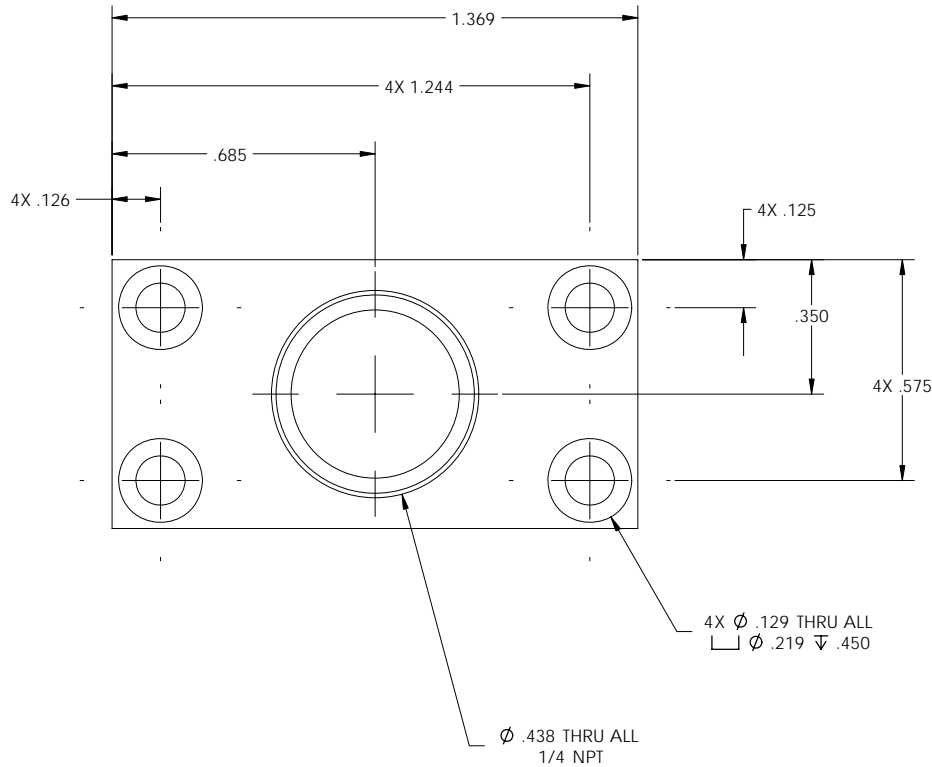
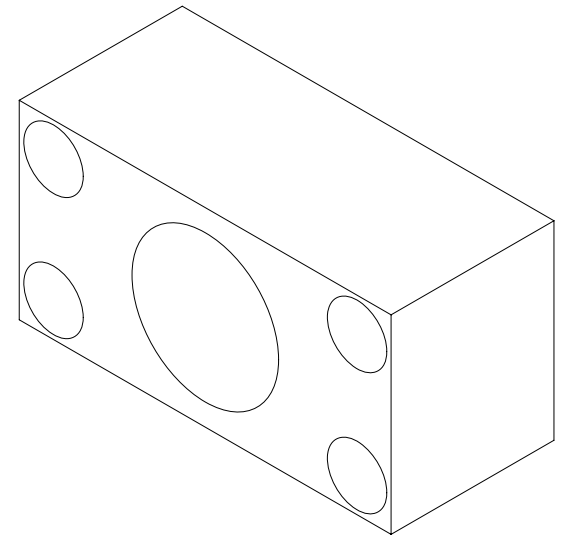


NOTES, UNLESS OTHERWISE SPECIFIED

- 1. UNSPECIFIED FILLET RADII .005-.010.
- 2. MATERIAL: AL BAR 6061-T651
- 3. THREADS PER ANSI B1.1.

REV	ZONE	DESCRIPTION	APPROVED	DATE
-		INITIAL RELEASE		



ALL DIMENSIONS ARE IN INCHES- INTERPRET DRAWING PER ASME Y14.5 -1994

TOLERANCES UNLESS OTHERWISE SPECIFIED:
 X.X ± .03 ∠ ± .5°
 X.XX ± .01
 X.XXX ± .005 125/

REMOVE ALL BURRS AND SHARP EDGES .005 R OR CHAMFER MAX

APPROVED	DATE
PREP BY D. ANDERSON	
CHECKED	
RESP ENG D. ANDERSON	
MFG ENG	
QUAL ENG	

Franklin W. Olin College of Engineering

BLOCK, INLET

SIZE	FSCM NO.	PART NO.	PART REV	DOC REV
C				02
SCALE	4:1	WT	0.04	SHEET 1 OF 1

◆ = (CRITICAL DIMENSION)